

Little League Baseball Inc.  
United States Eastern Region

**State of Pennsylvania**  
Association of  
**District Administrators**

Presents the

**2010**  
**Pennsylvania Section - 8**  
**9/10 Year Olds Baseball**  
**Championship Tournament**

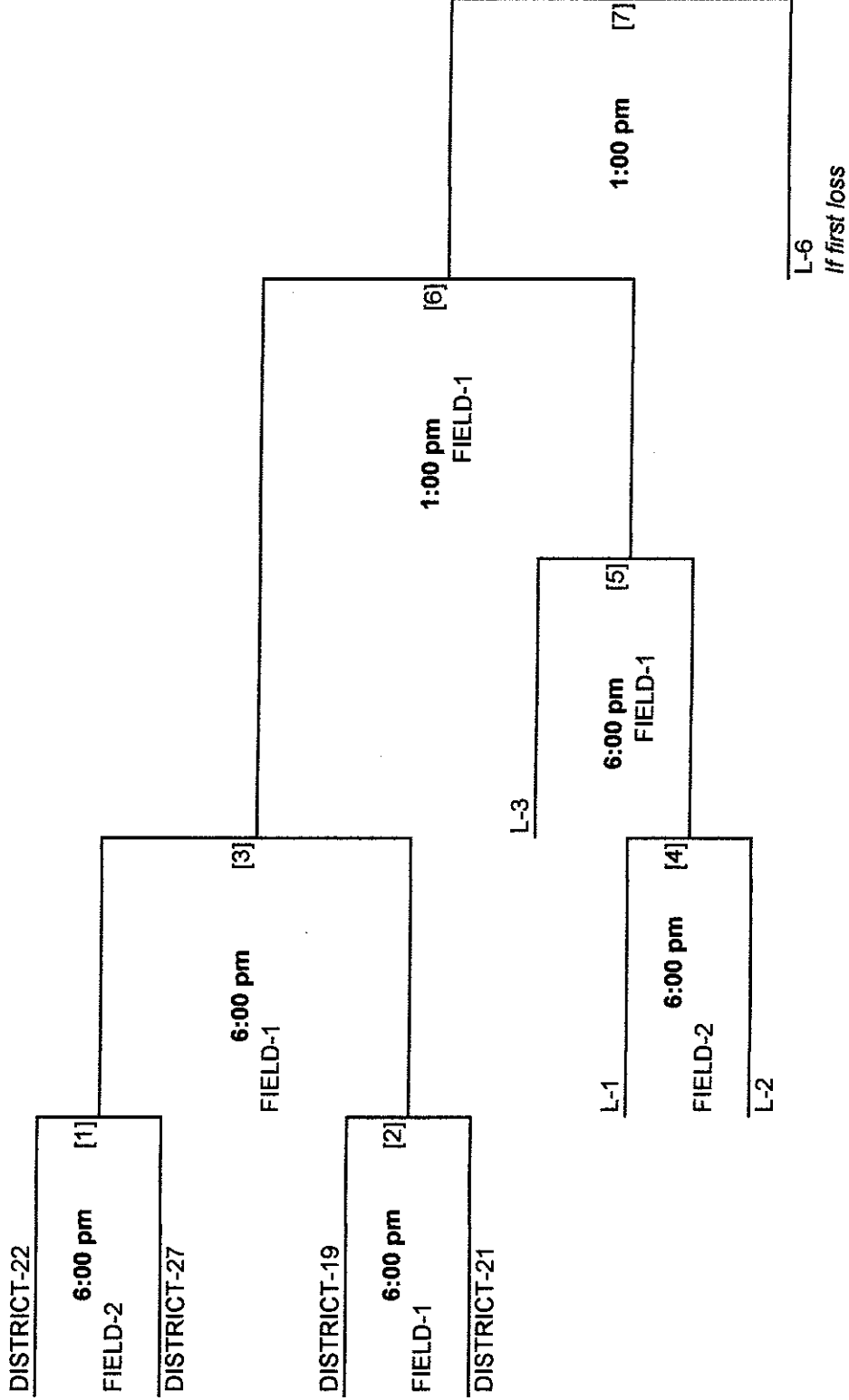
Tournament Director  
Tom Weaver  
Assistant District Administrator  
610-322-8869

Host: Pa Section **8**, District **19**  
Site: Newtown Edgmont Little League  
Bishop Hollow Road  
Newtown Square, PA 19073  
Bob Szipszky, President

**Tournament dates : July 14<sup>th</sup> 2010 - July 18<sup>th</sup> 2010**

# 2010 PENNSYLVANIA SECTION-8 9/10 BASEBALL TOURNAMENT

Wednesday <u>July 14</u>	Thursday <u>July 15</u>	Friday <u>July 16</u>	Saturday <u>July 17</u>	Sunday <u>July 18</u>
-----------------------------	----------------------------	--------------------------	----------------------------	--------------------------



Team listed at Top of bracket is in the First Base Dugout / team listed at bottom of bracket is in the Third Base Dugout

**LITTLE LEAGUE BASEBALL / SOFTBALL**  
**PENNSYLVANIA SECTION-8**  
**BASEBALL/SOFTBALL TOURNAMENT GUIDELINES**

**“ GOOD SPORTSMANSHIP IS THE HALLMARK OF ALL  
SUCCESSFUL LITTLE LEAGUE TOURNAMENTS”**

1. The Tournament Rules and Regulations as published by Little League Baseball shall be binding, abided by and strictly enforced.
2. All teams will submit their **eligibility affidavits** to the Tournament Director prior to each game. These affidavits must be verified **immediately** [and signed] after each game and returned to their respective teams.
3. Each manager is encouraged to have in their possession, a **medical release** signed by the parent/legal guardian for each player listed on the eligibility affidavits.
4. Players, managers and coaches that become involved in any **misconduct**, on or off the field, or at their lodging, may be dismissed from the tournament. The activity and person will be reported to the Little League Headquarters Tournament Committee, the parent league, District Administrator and the League President.
5. The team manager is responsible for **uniforms** and equipment. All players **must** be in uniform, all uniforms **must** have the **Official Little League Patch**.
6. Only the manager, coaches, and the players listed on the **Official Affidavit** are permitted in the dugout or playing field.
7. All **batting helmets** must be NOCSAE approved with the warning label.
8. **Catchers** must wear a mask with approved helmet [skullcap type not acceptable] all catcher helmets must have an attached throat guard.
9. Shoes with metal cleats or spikes will not be worn by players, managers, coaches, or umpires. [Permitted in Junior, Senior, Big League Baseball only]
10. No **jewelry** will be allowed on the playing field regardless of the material. This includes earrings, necklaces, rings, piercing studs, and watches. Medical alert items **ARE** permitted.
11. **Tobacco / Tobacco products** shall not be allowed in the dugouts or playing field.
12. **Game balls** will be supplied by the Host League.

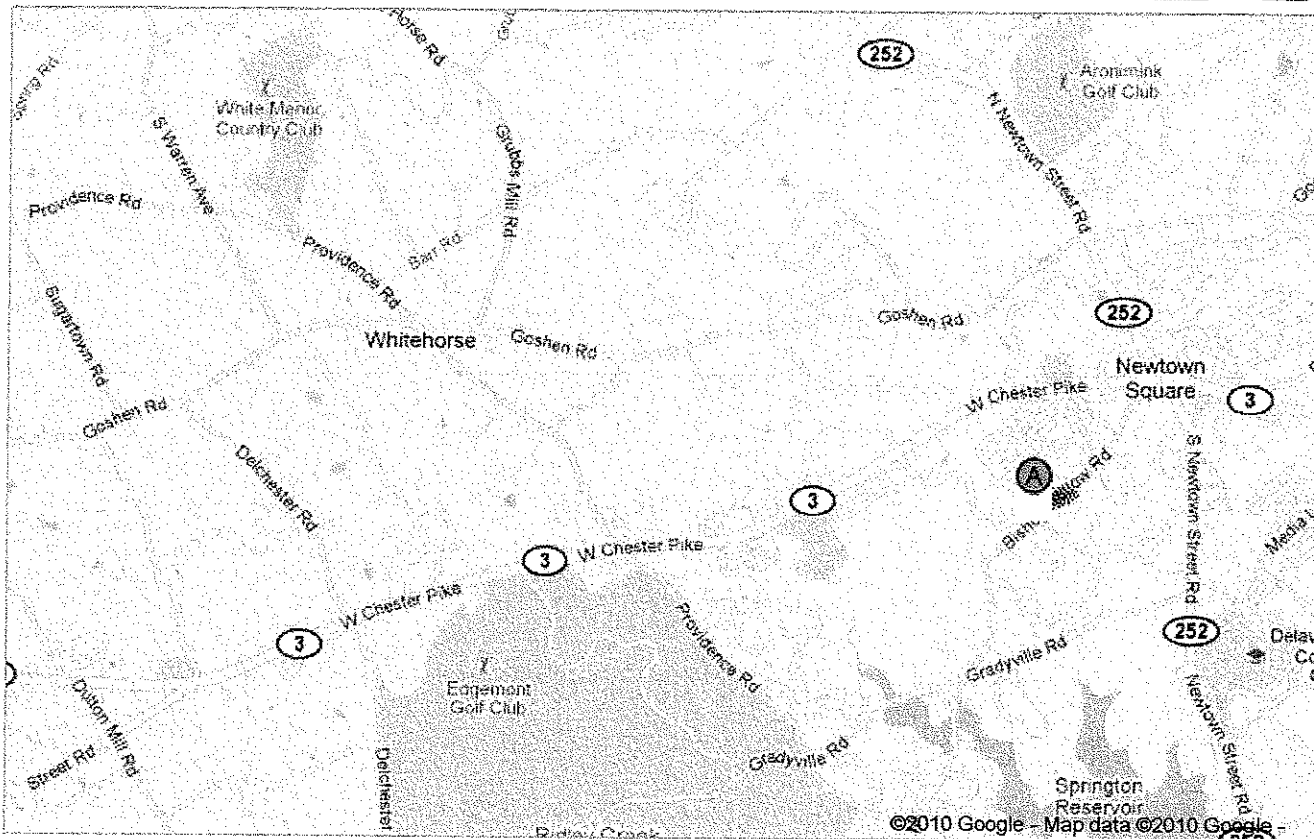
13. All **pregame practices** will be on your home field. A short infield/outfield warm-up may be allowed prior to the game if conditions permit. This warm-up may or may not be on the game field.
14. **Dugout Assignment.** The schedules distributed show two teams for each game. The team listed in the left column [or on the top of the official bracket] will occupy the **First Base Dugout**. The team listed in the second column [or on the bottom of the official bracket] will occupy the **Third Base Dugout**.
15. **Home Team selection.** The game field is neutral for each game. A coin-flip will determine home/visiting teams. The team traveling the longest distance will call the coin-flip.
16. Fifteen minutes prior to the game start, managers, coaches, umpires and the game director will meet at home plate to conduct the coin-flip, **review the ground rules** and answer any pregame questions
17. Both teams will line-up as directed by the tournament director when **introduced** and remain there for the National Anthem and the Little League Pledge.
18. Both teams will meet at the home plate area immediately **at the conclusion** of the game and shake hands.
19. **Complimentary refreshments** will be served to both teams after the game.
20. At the conclusion of the tournament the Section-8 Winning team will be awarded a championship flag. Section pins will be awarded to each participant of the Championship and runner-up teams.

**REMEMBER: GOOD SPORTSMANSHIP AT ALL TIMES - GOOD LUCK**

Google maps newtown edgmtont little league, newtown square, pa

See all the details that are visible on the screen, use the "Print" link next to the map.

Print Send Link



[Report a problem](#)

Newtown Edgmtont Little League

Bishop Hollow Road

Newtown Square, PA